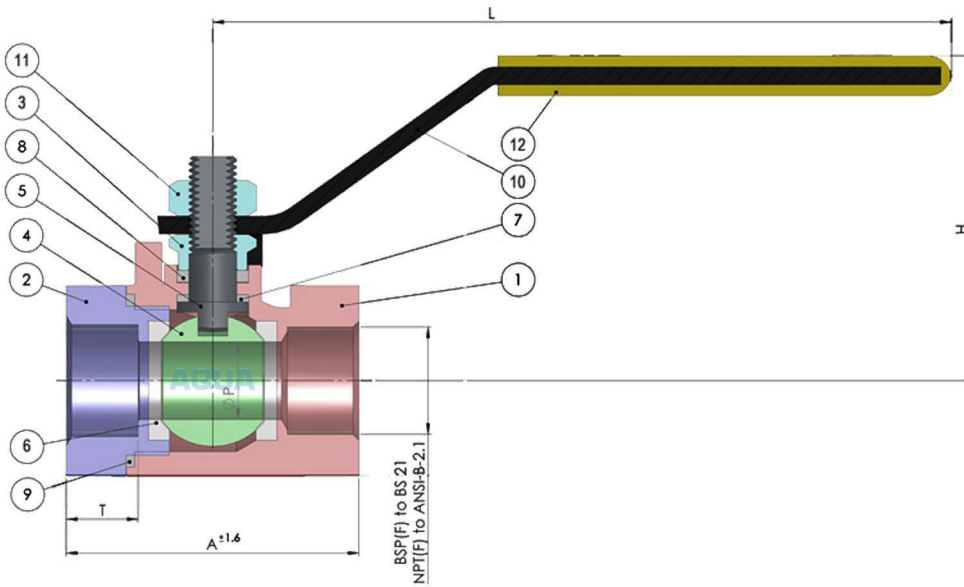


**Screwed End, Single Piece, Full Port,
Class 150, Size 15-50**



SERIES 73 - F3

SIZE		DIMENSIONAL DATA IN MM					QTY	TAG. NO.
mm	inch	A	H	L	ØP	T		
15	1/2	49	45	112	13	12		
20	3/4	61	64	131	19	13		
25	1	74	71	136	25	14.5		
32	5/4	80	72	148	30	15		
40	3/2	85	97	213	38	15		
50	2	110	102	215	50	17		



Manufacturing Standard : BS 5351
Hydrostatic & Pneumatic : BS 5146

Test For Class 150
 Shell Hydro 31 kg/cm²g
 Seat Hydro 19.5 kg/cm²g
 Seat Air 7 Kg/cm²g
 Screwed to BSP, NPT or any other Threading

NO.	PART NAME	MATERIAL		
1	Body	A	B	
2	Nut	A	B	
3	Gland Nut	M	E	
4	Ball	A	B	
5	Stem	E		
6	Seat	PTFE	GFT	GRAFOIL
7	Stem Seal	PTFE	GFT	GRAFOIL
8	Gland Packing	PTFE	GFT	GRAFOIL
9	Body Seal	PTFE	GFT	GRAFOIL
10	Lever	J	STEEL PLATED	
11	Lever Nut	M	E	
12	PVC Grip	PVC		

A = ASTM A-216 Gr.WCB
B = ASTM A-351 Gr.CF8
C = ASTM A-351 Gr.CF8M
E = AISI – 304
F = AISI – 316
J = ASTM A-494 CW 12 M1
M = ASTM A-193 Gr. B8
GFT = GLASS FILLED TEFLON
PTFE = POLY TETRA FLUORO ETHYLENE
PVC = POLY VINYL CHLORIDE

CUSTOMER :

ORDER NO :

JOB/PROJECT :

Development is continuous and specifications are subject to alterations at any time without notice

Drg. No : ACVPL/73-F3/15-50 / 1 PC

OUR Ref :

Aqua Control Valves Pvt. Ltd.,
 D/72, C/67, Industrial Estate,
 Udyambag, BELGAUM – 590 008
 Karnataka State,
 INDIA